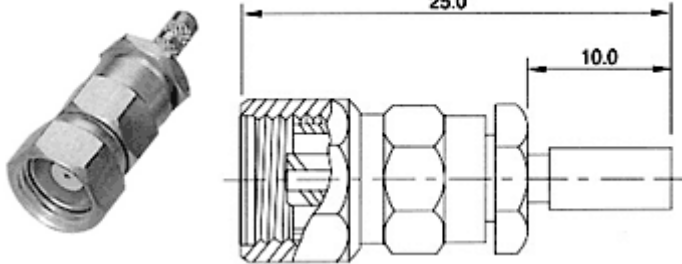


# SMZ / SMC

## INTERFACE DIMENSIONS

## TECHNICAL DATA

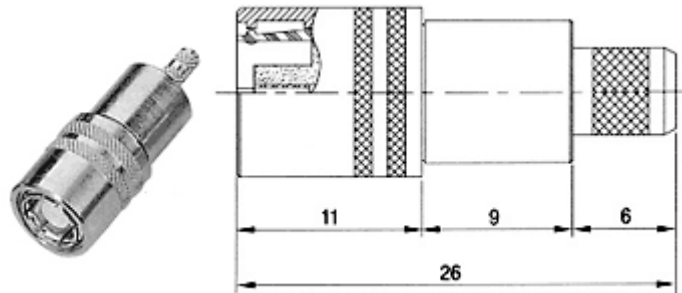


### Straight Plugs

#### Crimp Type

#### Screw-on-mating

PART NO	IMPED	CABLE
S740-001	75Ω	RG 179
S740-002	75Ω	2.5C2V Belden 8218
S740-003	75Ω	RG 59

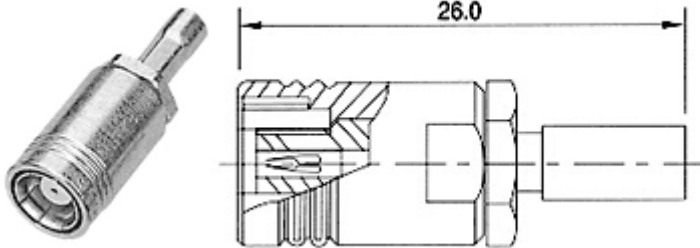


### Straight Plugs

#### Crimp Type

#### Posi-Lock mating

PART NO	IMPED	CABLE
S740-004	75Ω	RG 179
S740-005	75Ω	2.5C2V, Belden 8218
S740-006	75Ω	RG 59
REMARK	BT 43	

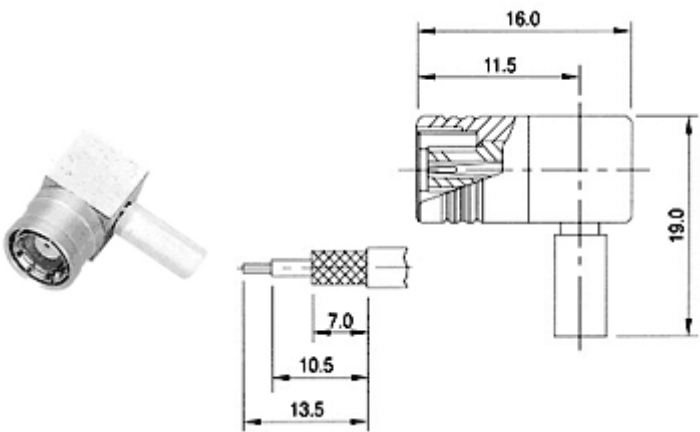


### Straight Plugs

■Crimp Type

■Snap-on mating

PART NO	IMPED	CABLE
S740-007	75Ω	RG 179
S740-008	75Ω	2.5C2V, Belden 8218
S740-009	75Ω	RG 59



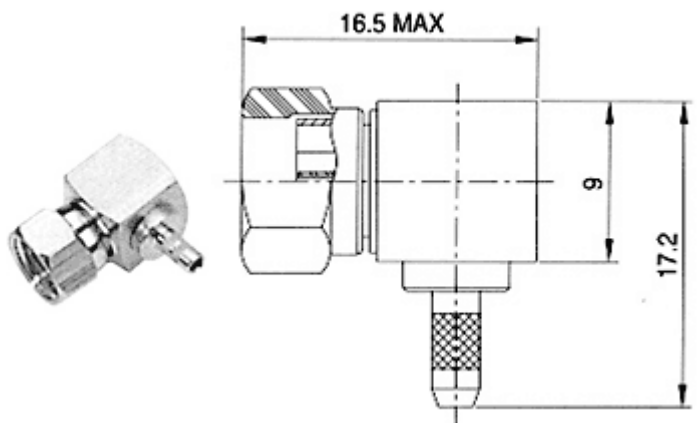
### Right Angle Plugs

■Crimp Type

■Snap-on mating

PART NO	IMPED	CABLE
S740-010	75Ω	RG 179
S740-011	75Ω	2.5C2V, Belden 8218
S740-012	75Ω	RG 59

[▲ PAGE TOP](#)

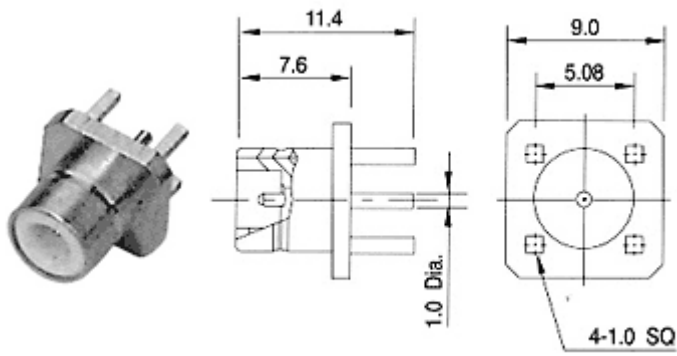


### Right Angle Plugs

■Crimp Type

■Snap-on mating

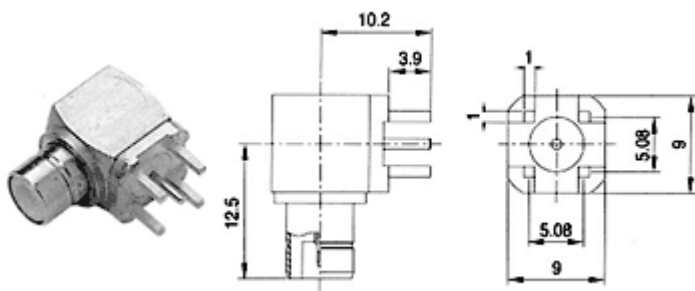
PART NO	IMPED	CABLE
S740-013	75Ω	RG 179
S740-014	75Ω	Belden 8218
S740-015	75Ω	RG 59



**Straight P.C.B Jack  
Receptacle**

- Posi-Lock mating
- Snap-on mating
- P.C.B mount

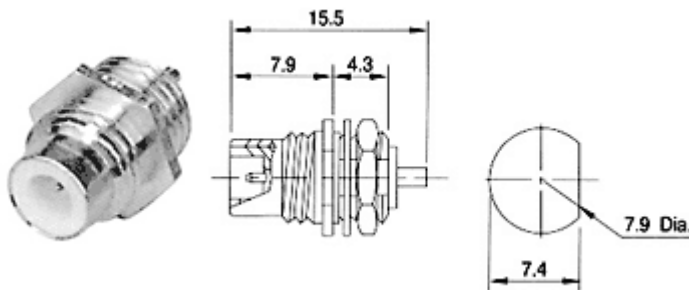
PART NO	IMPED
S740-111	75Ω



**Right P.C.B Jack  
Receptacle**

- Posi-Lock mating
- Snap-on mating
- P.C.B mount

PART NO	IMPED
S740-112	75Ω

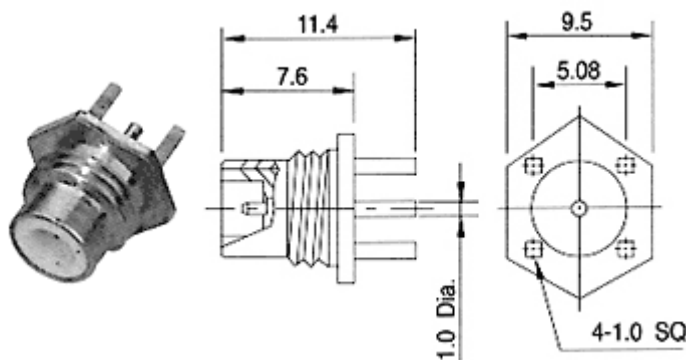


**Straight Bulkhead Jack  
Receptacle**

- Solder pot contact
- Screw-on mating
- P.C.B mount

PART NO	IMPED
S740-113	75Ω

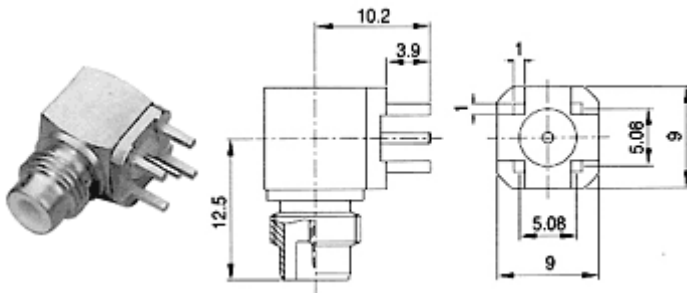
[▲ PAGE TOP](#)



**Straight P.C.B Jack  
Receptacle**

- Screw-on mating
- P.C.B mount

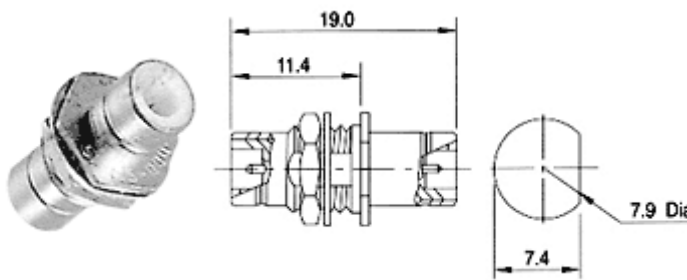
PART NO	IMPED
S740-114	75Ω



**Right Angle P.C.B Jack Receptacle**

- Screw-on mating
- P.C.B mount

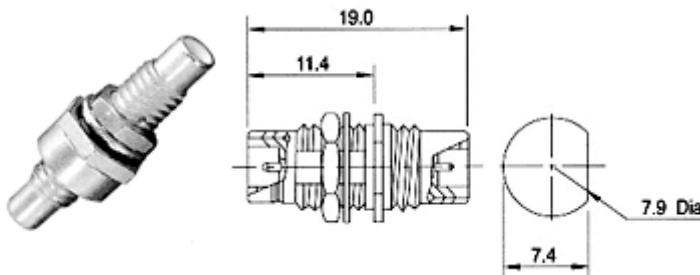
PART NO	IMPED
S740-115	75Ω



**Jack to Jack Adaptor**

- Posi-Lock mating
- Snap-on mating
- Connects two plugs

PART NO	IMPED
S740-211	75Ω

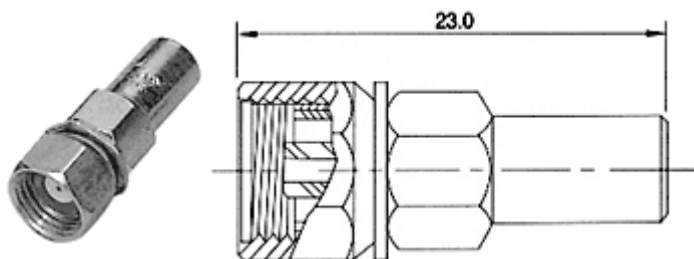


**Jack to Jack Adaptor**

- Screw-on mating
- Connects two plugs

PART NO	IMPED
S740-212	75Ω

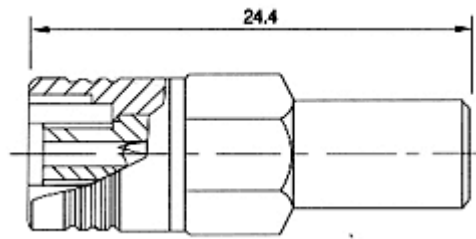
[▲ PAGE TOP](#)



**Plug Resistive Termination**

- Screw-on mating
- V.S.W.R 1.2:1 max 1GHz

PART NO	IMPED
S740-213	75Ω



### Plug Resistive Termination

- Snap-on mating
- Maximum power : 1.0W

PART NO	IMPED
S740-213	75Ω

[▲ PAGE TOP](#)

詳細仕様、説明等に付きましては、(株)イナートロン へお問い合わせ願います。